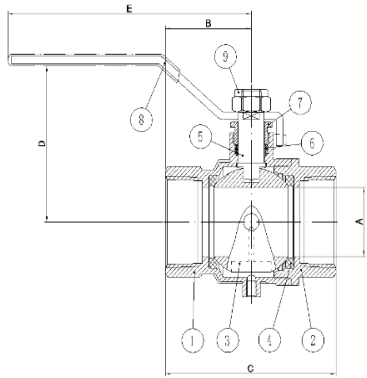


**Auto Drain Safety Exhaust Brass Ball Valves with Lockable Handle**



Valve is Shown In the Open Position



300 PSI CWP 150 WSP Service 1/4" - 1"  
200 PSI CWP 150 WSP Service 1-1/4" - 2"  
Suitable for Vacuum Service to 29.9" Hg  
Full Port  
Temperature Range: -40° F to 350°F  
Forge Brass Construction  
Blow Out Proof Stem  
Chrome-Plated Brass Ball  
PTFE Ball Seat and Packing Nut  
Threaded Automatic Vent (5/16")  
Auto Drain Ports for Relieving Down Stream Pressure  
When in the Closed Position  
Lockable Chrome-Plated Steel Handle w/Vinyl Grip  
Use with 9/32 Lock (Lock Not Included)  
FPT Connection  
OSHA Compliant  
ISO Registered Factory  
MSS SP-110 Approved  
RoHS Compliant

Part No.	Size	A (In)	B (In)	C (In)	D (In)	E (In)	Cv	Wt. (lbs.)	Carton Qty
ADV-25	1/4"	0.31	0.84	1.75	1.96	4.07	8.23	0.31	80
ADV-38	3/8"	0.40	0.84	1.75	2.00	4.07	8.23	0.33	80
ADV-50	1/2"	0.59	1.16	2.30	2.24	4.07	18.55	0.55	80
ADV-75	3/4"	0.75	1.26	2.56	2.35	4.49	29.76	0.92	48
ADV-100	1"	0.98	1.45	2.89	2.68	4.92	51.55	1.10	36
ADV-125	1 1/4"	1.26	1.69	3.37	2.92	5.00	84.42	1.90	24
ADV-150	1 1/2"	1.57	1.83	3.62	3.95	5.98	131.93	2.70	16
ADV-200	2"	1.97	2.12	4.23	4.20	5.98	200.34	4.30	8

Weights Are ± 3%

Part No.	Description	Material
1	Body	Brass
2	Caps	Brass
3	Ball	Brass Chrome-Plated
4	Seat	PTFE
5	Stem	Brass
6	Packing	PTFE
7	Gland	Brass
8	Handle	Chrome-Plated Steel
9	Nut	Chrome-Plated Steel

Drawing Date: 5/2009  
Rev. Level-Date: R5 7-2021



WARNING: This product can expose you to chemicals, including lead, which is known to the State of California to cause cancer and reproductive harm. For more information go to [www.P65Warnings.CA.gov](http://www.P65Warnings.CA.gov)